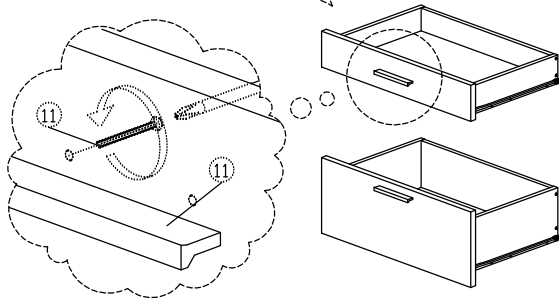


# Assembly Instruction

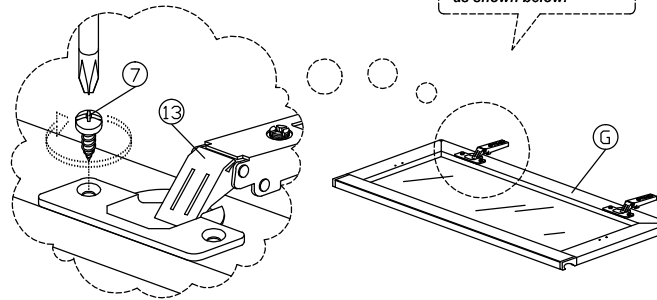
## Step 15

*\*Install Handle to all drawer fronts with screw as shown.*



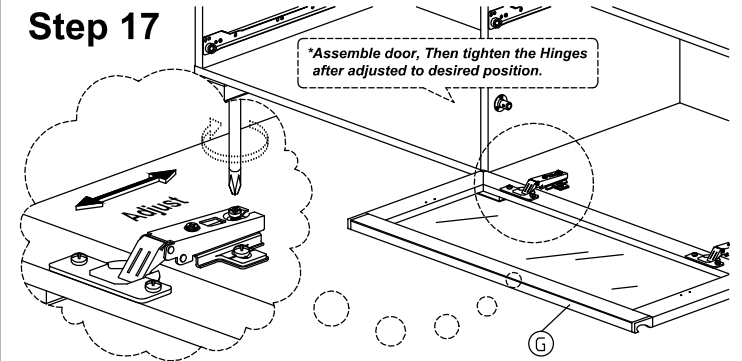
## Step 16

*\*Install Hinges with screw as shown below.*



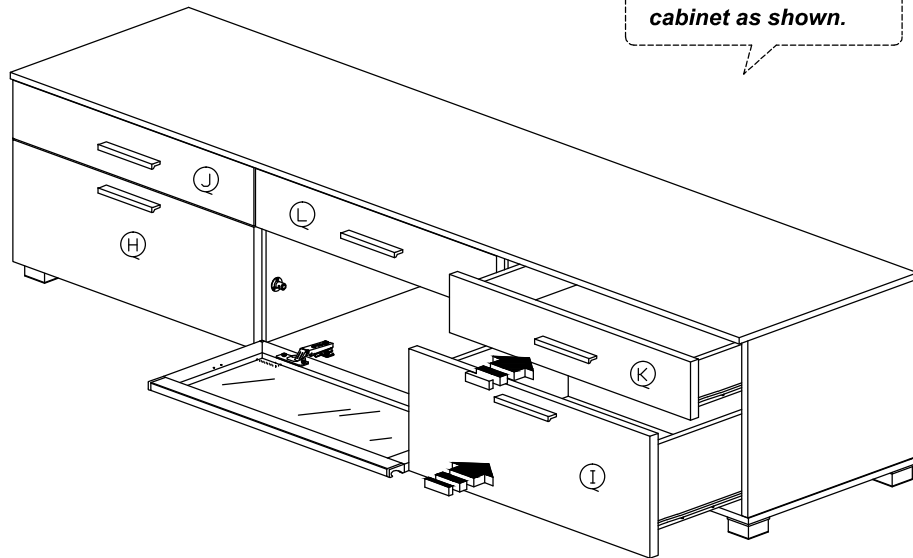
## Step 17

*\*Assemble door, Then tighten the Hinges after adjusted to desired position.*



## Step 18

*\*Place all drawers into cabinet as shown.*



## Step 19

*\*Ensure to remove the nut before insert metal rod as shown.*

*\*Insert metal rod to the hole as shown above.*

